

TVC

Adiabatic cooling



Key benefits

- High thermal performance
- Saving water
- Top hygiene control



TVC, TrilliumSeries characteristics

Counter flow, adiabatic pre-cooling, axial fan, induced draft

Capacity range

340 - 1030 kW

Typical applications

- Small to medium industrial refrigeration applications
- Locations with limited water and space availability



Boosting high thermal performance

- **Pads** in front of the finned coil pre-cool air to virtual **wet bulb temperature**.
- Up to **40% improved capacity** compared to dry cooling.
- TVC condenser consumes **less energy**.
- TVC condenser achieves **low process temperatures**.

Saving water

- TrilliumSeries condensers **achieve annual water savings exceeding 80%** water compared to normal water cooled condensers by limited adiabatic operation.

Top hygiene control

- Featuring a **once-through system**: recirculation and stagnation of water eliminated.
- **No stagnant water**: pre-cooler water conveyed from pads to sewer via a gutter.
- **No aerosol formation**: TrilliumSeries condensers minimize the Legionella risk.
- TrilliumSeries condensers cool incoming air **without transferring water** to the dry coil

Interested in the TVC TrilliumSeries condenser for your refrigeration project? Contact your local [BAC representative](#) for more information.

Downloads

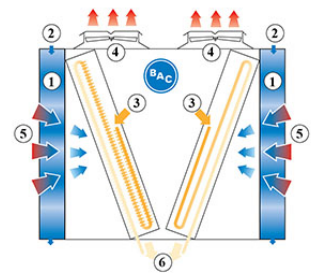
- [TVC Refrigerant condensers](#)
- [Maintenance TVC](#)
- [Rigging TVC](#)

Principle of Operation

Adiabatic cooling

Principle of Operation

The TVC is a V-shaped condenser with **adiabatic pre-coolers (1)**. **Water flows (2)** evenly over the pads located in front of the **dry finned coil (3)**. At the same time **axial fans (4)** draw **air (5)** through the pads where a portion of the water evaporates and cools down the saturated air. This increases the cooling capacity of the incoming air and condenses efficiently the **vapour (6) into liquid** inside the coil.



Interested in the TVC TrilliumSeries condenser for your refrigeration project? Contact your local [BAC representative](#) for more information.

Construction details

Adiabatic cooling

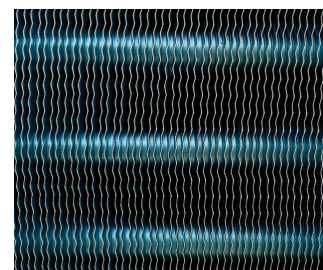
Construction details

1. Material options

- Heavy-gauge hot-dip **galvanized steel** is used for unit steel panels and structural elements featuring [Baltibond Hybrid Coating](#).

2. Heat transfer media

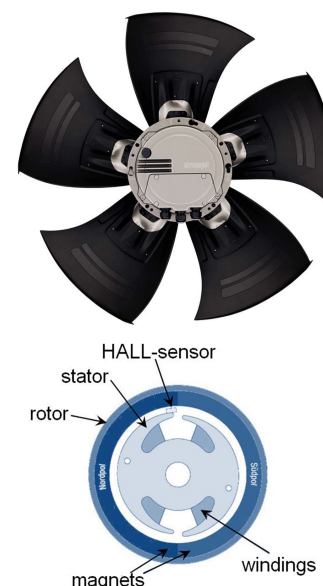
- The V-shaped finned coil is constructed of **staggered and seamless tubes** with aluminium, rippled and corrugated fins.
- **The fins are spread** for optimal air turbulence.
- Thick and seamless copper headers and threaded steel connections.
- Pressure tested at 34 bar.
- **Try our option for aggressive environments:** special pre-coated anti-corrosion aluminium fins.



3. Air movement system

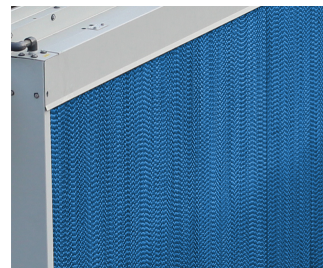
- **Axial fan** with exceptionally **compact direct drive** short integrated motor and fan guard.
- The **low profile fan** with fan guard features an **impeller and motor** and is balanced as a complete unit using dynamic single plane balancing. Balance grade is G6.3.
- Fan and motor totally **maintenance free**, and allow frequent starting.
- **Bearings seals and motor encapsulation** for long service life.
- The adiabatic units fitted with **EC motors** (EC in model number) provide an immense **reduction in power consumption**. The fans are piloted over an RS485 bus system by the controller supplied together with the electrical panel.

Principle of operation: the magnetic field of the permanent magnets in the outside rotor is used by the consecutively powered windings in the inside stator to let the fan run. The Hall-sensor detects where the magnetic field is strongest, which determines which set of windings will be activated.



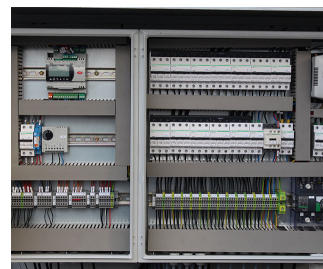
4. Adiabatic pre-cooler

- Evaporative cooling pad of **impregnated cellulose** with different flute angles encased in bolted heavy gauge **stainless steel**.
- **Distribution pad on top** for complete pad wetting.
- **Once-through** water distribution system, no need for pumps, water drained to sewage.



5. Electrical panel and adiabatic controls

- Fully equipped **factory-installed electrical panel** with integrated motor controls and adiabatic controls as well as all the required circuit breakers and other auxiliary components.
- **Intelligent controls** featuring the possibility for:
 - An additional pre-programmed free cooling set-point
 - Day/night operation to limit the maximum fan speed to lower the sound levels
 - BMS communication with all common protocols
 - Possibility for a master/slave arrangement to further optimize multi-unit installations
 - Automatic cleaning cycle rinsing the pads in taxing environments
 - Possibility to force unit in dry operation in case water usage is prohibited



Like to know more about the TVC TrilliumSeries condenser construction details? Contact your [local BAC representative](#).

Options and Accessories

Adiabatic cooling

Options and Accessories

Below is a listing of the main TVC options and accessories. If your required option or accessory is not listed, look no further than your [local BAC representative](#).



Epoxy coating

Increase the coil's resistance against a harsh atmosphere.



Sound reduction

Reducing noise at air **intake and discharge points** brings us closed to silent cooling equipment.



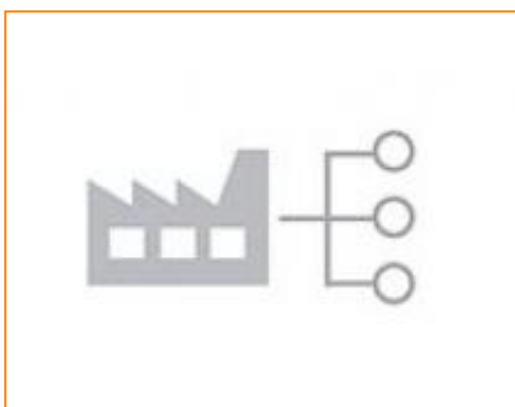
Partitioning panels TVC

Increase the degree of redundancy, providing a higher backup capacity for your installation.



Recirculation pump

The recirculation pump helps to further cut down on water consumption.



BMS supervision

This option integrates the adiabatic cooler's control system in your BMS system.



Safety switch

Cuts power to motor with **safety in mind** during inspection or maintenance.



Electrical panel heater

Protects electronic components in the electrical panel during extremely cold temperatures.

TVC_EC8022-D810_EC8022-S

612 Adiabatic cooling

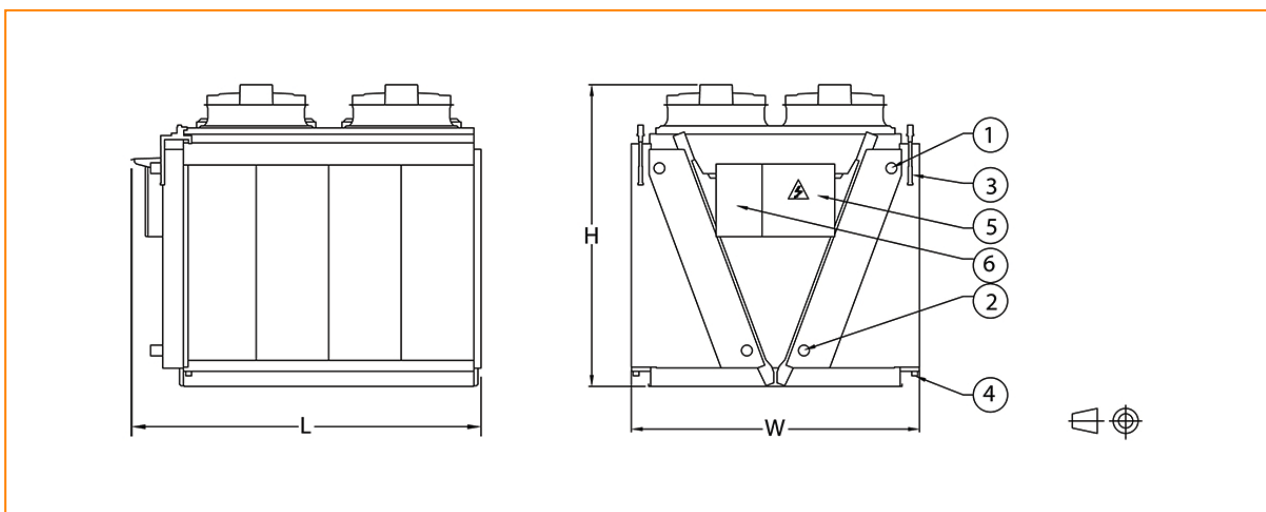
Engineering data

REMARK: Do not use for construction. Refer to factory certified dimensions & weights. This page includes data current at time of publication, which should be reconfirmed at the time of purchase. In the interest of product improvement, specifications, weights and dimensions are subject to change without notice.

General notes

1. Sound Pressure Levels (L_{pA}) are measured in the horizontal plane at a distance of 10 m from the connection end of the unit, under free field conditions.
2. Adiabatic pre-cooling sections are shipped separately and need to be installed on site.

TVC_EC8022-D810_EC8022-S612



1. Fluid outlet connection; 2. Fluid inlet connection; 3. Pre-cooler city water connection; 4. Pre-cooler water drain; 5. Electrical power panel; 6. Control panel.



TVC_EC8023-D810_EC8023-S

810 Adiabatic cooling

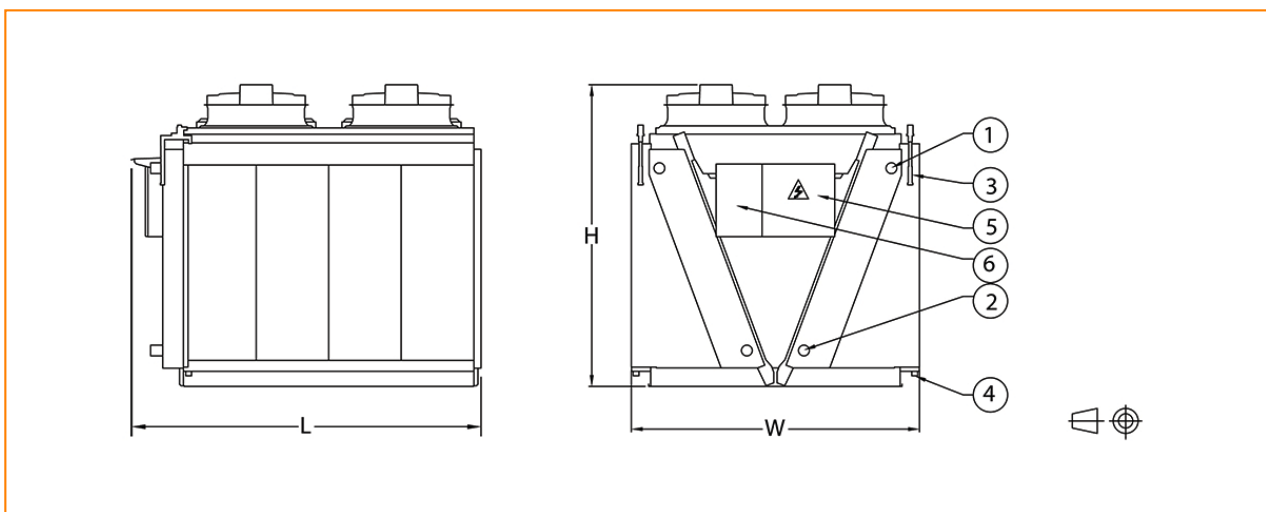
Engineering data

REMARK: Do not use for construction. Refer to factory certified dimensions & weights. This page includes data current at time of publication, which should be reconfirmed at the time of purchase. In the interest of product improvement, specifications, weights and dimensions are subject to change without notice.

General notes

1. Sound Pressure Levels (L_{pA}) are measured in the horizontal plane at a distance of 10 m from the connection end of the unit, under free field conditions.
2. Adiabatic pre-cooling sections are shipped separately and need to be installed on site.

TVC_EC8023-D810_EC8023-S810



1. Fluid outlet connection; 2. Fluid inlet connection; 3. Pre-cooler city water connection; 4. Pre-cooler water drain; 5. Electrical power panel; 6. Control panel.



TVC_EC8024-D810_EC8024-S

810 Adiabatic cooling

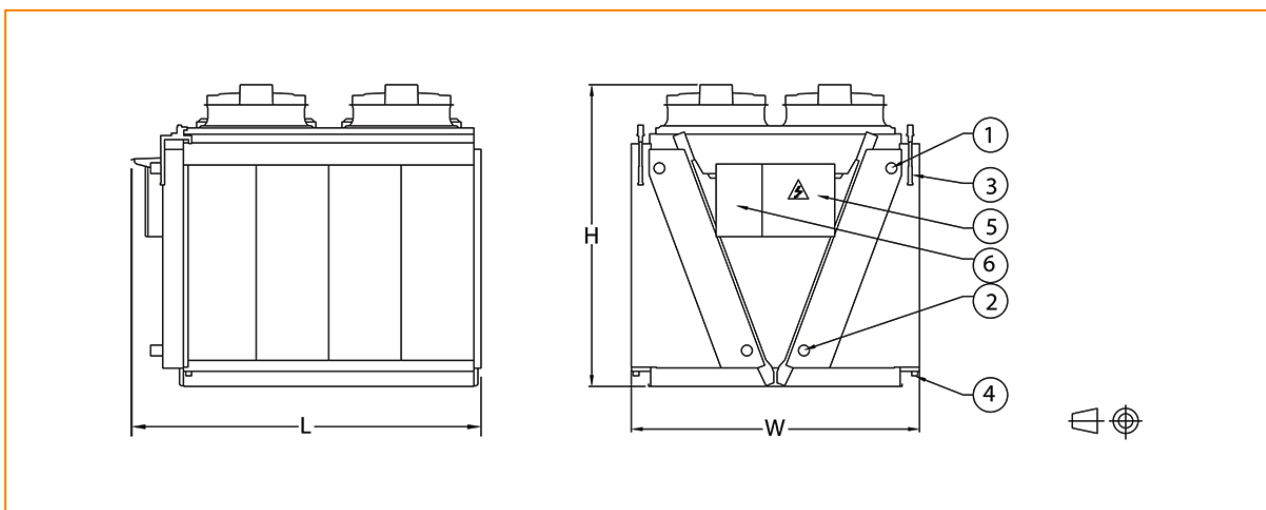
Engineering data

REMARK: Do not use for construction. Refer to factory certified dimensions & weights. This page includes data current at time of publication, which should be reconfirmed at the time of purchase. In the interest of product improvement, specifications, weights and dimensions are subject to change without notice.

General notes

1. Sound Pressure Levels (L_{pA}) are measured in the horizontal plane at a distance of 10 m from the connection end of the unit, under free field conditions.
2. Adiabatic pre-cooling sections are shipped separately and need to be installed on site.

TVC_EC8024-D810_EC8024-S810



1. Fluid outlet connection; 2. Fluid inlet connection; 3. Pre-cooler city water connection; 4. Pre-cooler water drain; 5. Electrical power panel; 6. Control panel.



TVC_EC8025-D810_EC8025-S

810 Adiabatic cooling

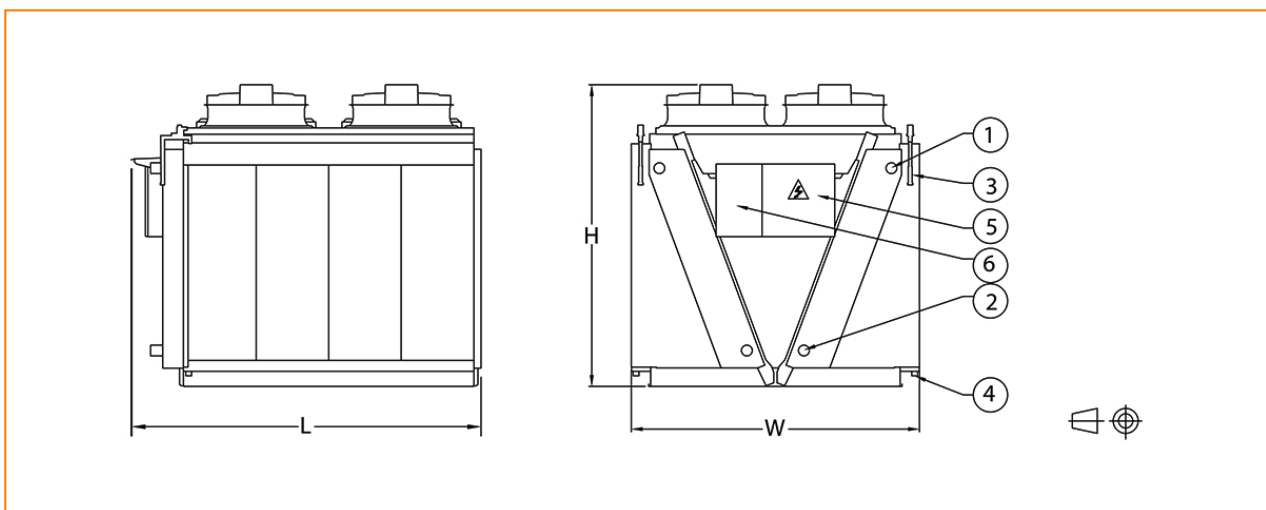
Engineering data

REMARK: Do not use for construction. Refer to factory certified dimensions & weights. This page includes data current at time of publication, which should be reconfirmed at the time of purchase. In the interest of product improvement, specifications, weights and dimensions are subject to change without notice.

General notes

1. Sound Pressure Levels (L_{pA}) are measured in the horizontal plane at a distance of 10 m from the connection end of the unit, under free field conditions.
2. Adiabatic pre-cooling sections are shipped separately and need to be installed on site.

TVC_EC8025-D810_EC8025-S810



1. Fluid outlet connection; 2. Fluid inlet connection; 3. Pre-cooler city water connection; 4. Pre-cooler water drain; 5. Electrical power panel; 6. Control panel.



TVC_EC8026-D810_EC8026-S

810 Adiabatic cooling

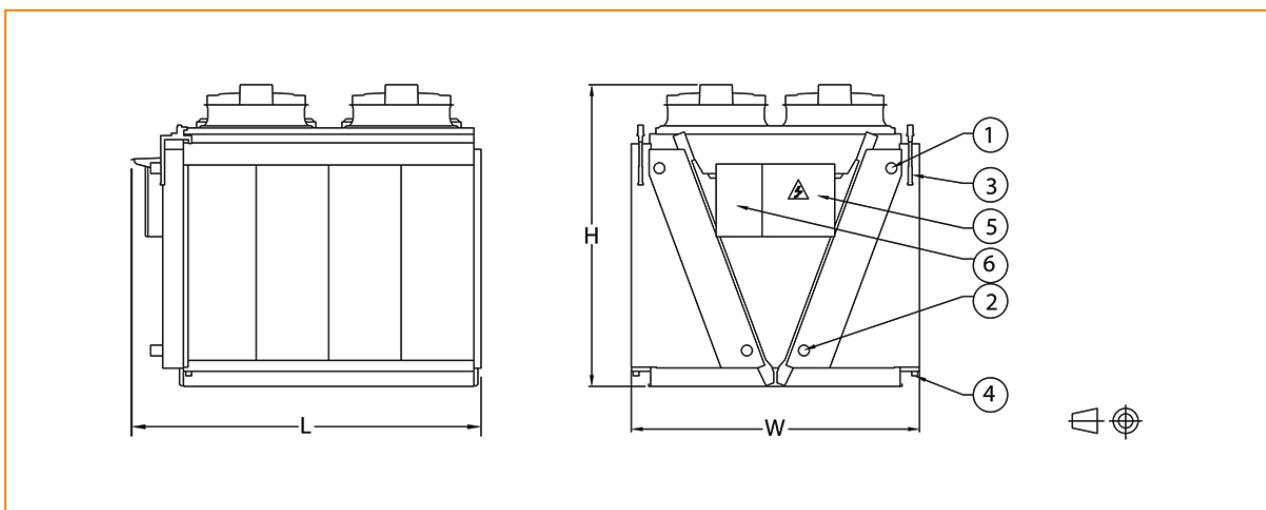
Engineering data

REMARK: Do not use for construction. Refer to factory certified dimensions & weights. This page includes data current at time of publication, which should be reconfirmed at the time of purchase. In the interest of product improvement, specifications, weights and dimensions are subject to change without notice.

General notes

1. Sound Pressure Levels (L_{pA}) are measured in the horizontal plane at a distance of 10 m from the connection end of the unit, under free field conditions.
2. Adiabatic pre-cooling sections are shipped separately and need to be installed on site.

TVC_EC8026-D810_EC8026-S810



1. Fluid outlet connection; 2. Fluid inlet connection; 3. Pre-cooler city water connection; 4. Pre-cooler water drain; 5. Electrical power panel; 6. Control panel.



TVC_EC8027-D810_EC8027-S

810 Adiabatic cooling

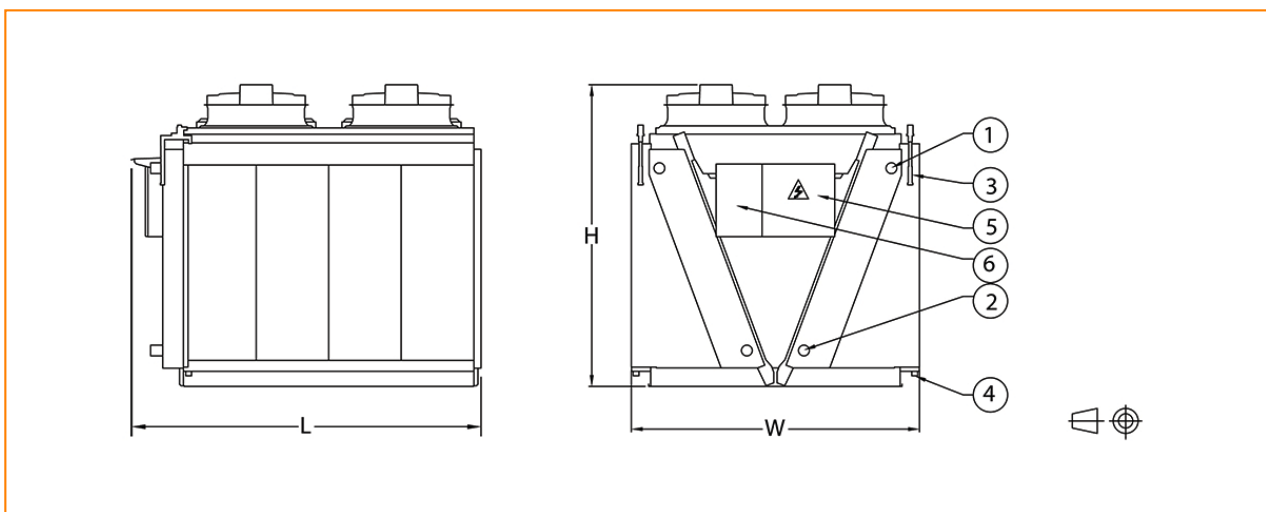
Engineering data

REMARK: Do not use for construction. Refer to factory certified dimensions & weights. This page includes data current at time of publication, which should be reconfirmed at the time of purchase. In the interest of product improvement, specifications, weights and dimensions are subject to change without notice.

General notes

1. Sound Pressure Levels (L_{pA}) are measured in the horizontal plane at a distance of 10 m from the connection end of the unit, under free field conditions.
2. Adiabatic pre-cooling sections are shipped separately and need to be installed on site.

TVC_EC8027-D810_EC8027-S810



1. Fluid outlet connection; 2. Fluid inlet connection; 3. Pre-cooler city water connection; 4. Pre-cooler water drain; 5. Electrical power panel; 6. Control panel.

