

PLF2 >>>

Polairis cooling tower

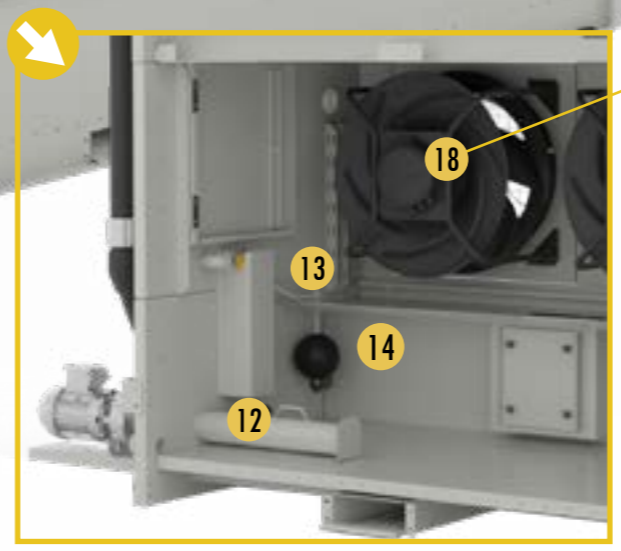
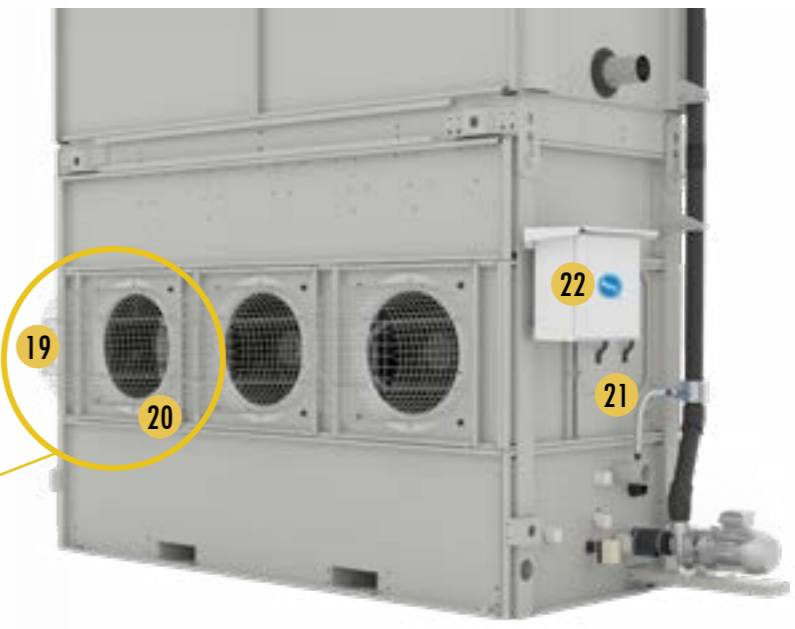


Coil Casing Section

- i** 1. Drift eliminators
- i** 2. Spray branches
- i** 3. Spray branch grommets
- i** 4. Spray nozzles & nozzles grommets
- i** 5. Coil(s)
- i** 6. Upper pump piping
- i** 7. Sleeve & clamps

Pan Fan Section

- i** 8. Lower pump piping
- i** 9. Spray pump
 - with volute
 - without volute
 - seal kit
- i** 10. DiamondClear™ Design Water capture system
- i** 11. Double blank-off wall
- i** 12. Strainer
- i** 13. Make-up valve & arm
- i** 14. Float ball
- i** 15. Heater
- i** 16. Heater thermostat
- i** 17. Low level cut out switch
- i** 18. Radial fan drive system
- i** 19. Fan guard
- i** 20. Fan inlet ring
- i** 21. Access door & gasket
- i** 22. Terminal box



Spare parts for condenser

Client contact information

Name _____

Company _____

Telephone _____

Email _____

Unit model _____

Serial number _____



Name _____

Telephone _____

Email _____

Quantities may vary according to the unit type.
This is not an official order form.

